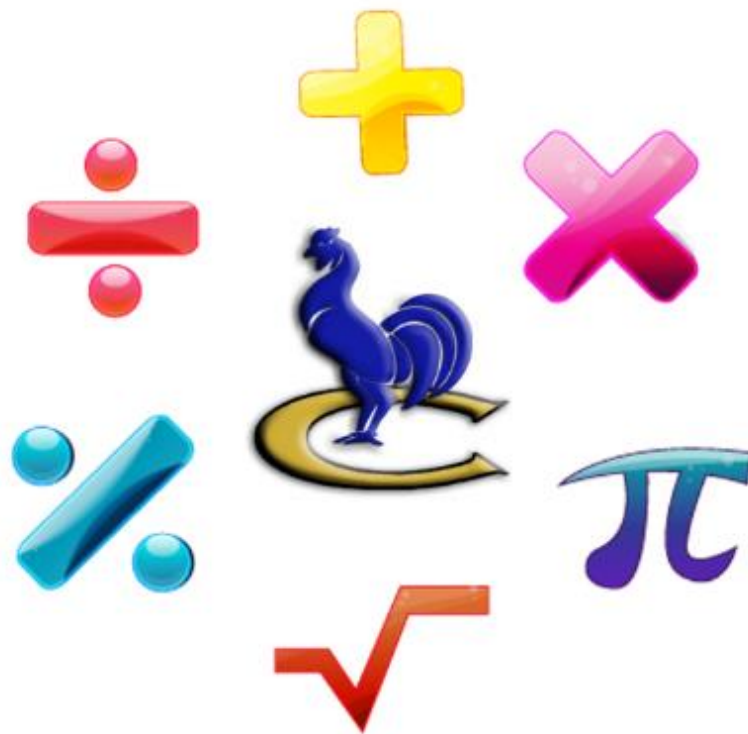


Key Stage 4

Foundation

Algebra Revision



Name:

Teacher:

Solve these equations.

(i) $7x = 56$ [1]

.....

.....

.....

(ii) $23 - x = 9$ [1]

.....

.....

(i) Sian has n boxes.
Each box contains 8 pens.
How many pens does Sian have altogether? [1]

.....

Number of pens is

(ii) Meic had m CDs.
He gave 3 CDs to a friend.
How many CDs does Meic have now? [1]

.....

Number of CDs is

(a) Calculate the value of $3x + 4y$ when $x = -6$ and $y = 5$. [2]

.....

.....

.....

(b) Simplify the expression $9g - 4f - 3g - 5f$. [2]

.....

.....

(c) Expand $4(3x - 5)$. [1]

.....

.....

(a) Simplify $8p - 12p + 9p$. [1]

.....
.....

(b) Solve the following equations.

(i) $6x = 48$ [1]

.....
.....

(ii) $32 - y = 17$ [1]

.....
.....

(a) Solve the following equations.

(i) $\frac{x}{7} = 21$ [1]

.....
.....

(ii) $13f + 2 = 6f + 5$. [3]

.....
.....

(a) Solve these equations.

(i) $7x = 56$ [1]

.....
.....

(ii) $y + 19 = 83$ [1]

.....
.....

(b) Simplify the expression $12k - 15k + 7k$. [1]

.....

Find the value of $2x + 7y$ when $x = -3$ and $y = 10$.

[2]

Solve the following equations.

(a) $20x = 120$

[1]

(b) $40 - y = 25$

[1]

- (i) Adam has x marbles. His friend gives him 3 more.
Write down, in terms of x , the total number of marbles Adam now has.

[1]

- (ii) Petrol costs $\pounds g$ per litre.
Write down, in terms of g , the cost of 15 litres of petrol.

[1]

Find the value of $8x + 3y$, when $x = 3$ and $y = -2$.

[2]

Circle the correct answer for the following statement. [1]

$5a + 4a - a$ can be simplified as

9

$5a + 4$

$8a$

8

$9a$

Solve the equation $3x - 2 = 10$. [2]

.....

.....

.....

Expand $2(x + 3)$. [1]

.....

.....

(a) Simplify the expression $9g - 5g + 12g$. [1]

.....

.....

(b) Solve the equation $5y = 45$. [1]

.....

.....

(c) Solve the equation $w - 16 = 14$. [1]

.....

.....

(d) Solve the equation $4x + 7 = 10$. [2]

.....

.....

.....

(a) Find the value of $5f + 7g$ when $f = 3.8$ and $g = -2.6$. [2]

.....

.....

.....

.....

(b) Solve the following equation.
Give your answer correct to 1 decimal place. [3]

$$7x - 4 = 12$$

.....

.....

Use the formula $x = 4a + 3b$ to find the value of x when $a = 7.2$ and $b = -4.6$. [2]

.....

.....

.....

Solve $5(2x + 3) = 20$. [3]

.....

.....

.....

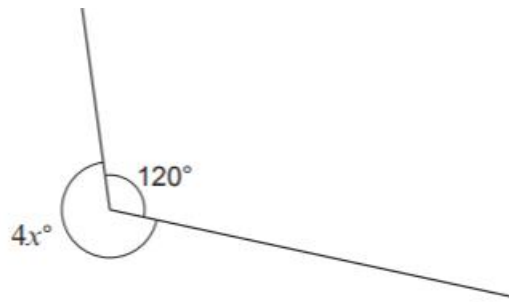


Diagram not drawn to scale

Calculate the value of x .

[3]

.....

.....

.....

.....

.....

.....

$x =$

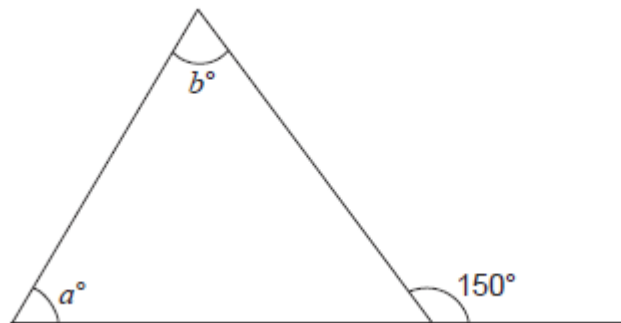


Diagram not drawn to scale

Which of the following equations is correct for the diagram shown above?
Circle your answer.

[1]

$a + b = 30$

$a + b = 210$

$b - a = 150$

$a - b = 150$

$a + b = 150$

n is an integer.

Tick the correct statement below.
You must give an explanation for your decision.

[1]

$5n - 3$ is always
an even number.

$5n - 3$ is always
an odd number.

$5n - 3$ can be an
even number or an
odd number.

Explanation:

.....
.....

$ABCD$ is a quadrilateral.

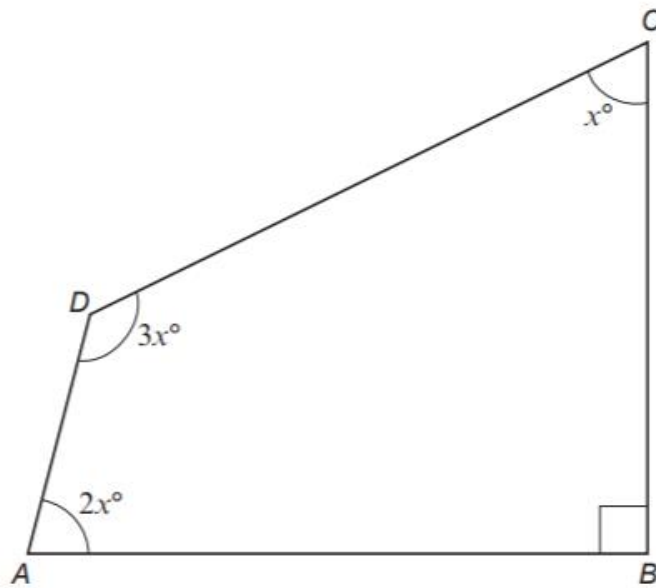


Diagram not drawn to scale

(a) Calculate the value of x .

[4]

.....

Find the size of angle x .

[2]

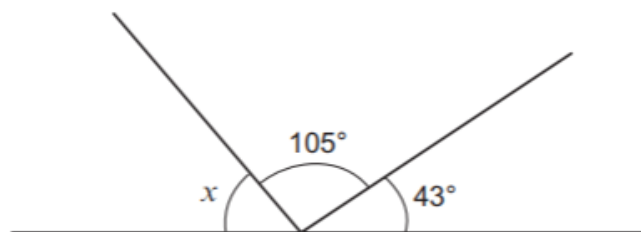


Diagram not drawn to scale

.....

.....

.....

.....

$x = \text{.....}^\circ$

Solve the equation $13y - 5 = 9y + 27$.

[3]

.....

.....

.....

.....

.....

(a) Solve the following equation.

[3]

$$4(3x + 2) = 12$$

.....

.....

.....

.....

.....

.....

(b) Write down an expression for the **total** cost of 3 bananas at x pence each, and 5 apples at $2x$ pence each.
Simplify your answer.

[3]

.....

.....

(a) Write down the first three terms of the sequence whose n th term is given by $2n - 5$. [2]

.....

.....

.....

The first three terms are,, and

(b) Write down an expression for the n th term of the following sequence. [2]

7, 11, 15, 19, ...

.....

.....

.....

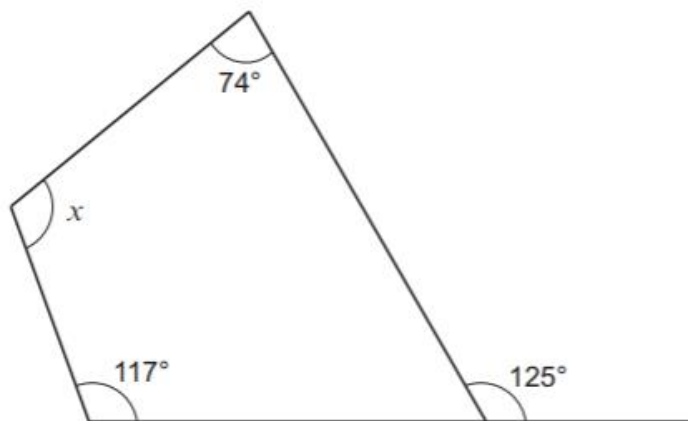


Diagram not drawn to scale

Find the size of the angle x .

[3]

.....

.....

.....

.....

.....

$x = \text{.....}^\circ$

